

Hi-MO X6 Explorer

LR5-54HTB

415~435M

- Suitable for Distribution Market
- Pure black for extreme elegance
- Better energy generation performance
- High-quality module guarantees long-term reliability



25-year Warranty for
Materials and Processing



25-year Warranty for Extra
Linear Power Output

Complete System and Product Certifications

IEC 61215, IEC 61730, UL 61730

ISO9001:2015: ISO Quality Management System

ISO14001: 2015: ISO Environment Management System

ISO45001: 2018: Occupational Health and Safety

IEC62941: Guideline for module design qualification and type approval

LONGI



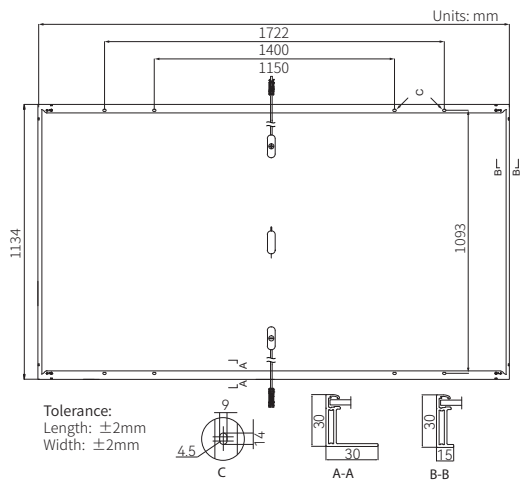
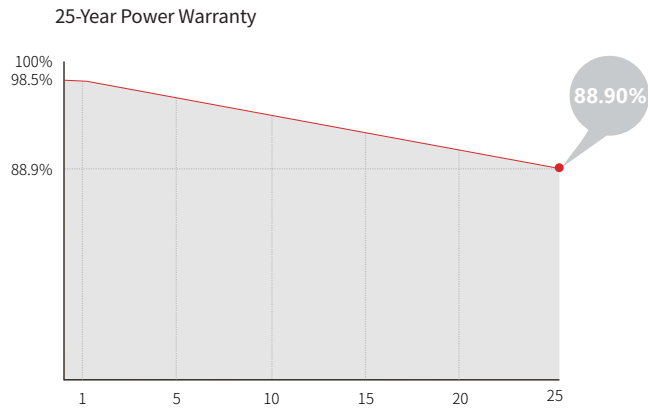
22.3%
MAX MODULE
EFFICIENCY

0~3%
POWER
TOLERANCE

<1.5%
FIRST YEAR
POWER DEGRADATION

0.40%
YEAR 2-25
POWER DEGRADATION

Additional Value



Mechanical Parameters

| | |
|------------------|--|
| Cell Orientation | 108 (6×18) |
| Junction Box | IP68 |
| Output Cable | 4mm ² , ±1200mm length can be customized |
| Glass | Single glass, 3.2mm coated tempered glass |
| Frame | Anodized aluminum alloy frame |
| Weight | 20.8kg |
| Dimension | 1722×1134×30mm |
| Packaging | 36pcs per pallet / 216pcs per 20' GP / 936pcs per 40' HC |

Electrical Characteristics

STC : AM1.5 1000W/m² 25°C NOCT : AM1.5 800W/m² 20°C 1m/s Test uncertainty for Pmax: ±3%

| Module Type | LR5-54HTB-415M | | LR5-54HTB-420M | | LR5-54HTB-425M | | LR5-54HTB-430M | | LR5-54HTB-435M | |
|----------------------------------|----------------|-------|----------------|-------|----------------|-------|----------------|-------|----------------|-------|
| | STC | NOCT | STC | NOCT | STC | NOCT | STC | NOCT | STC | NOCT |
| Maximum Power (Pmax/W) | 415 | 310 | 420 | 314 | 425 | 318 | 430 | 321 | 435 | 325 |
| Open Circuit Voltage (Voc/V) | 38.83 | 36.46 | 39.03 | 36.65 | 39.23 | 36.83 | 39.43 | 37.02 | 39.63 | 37.21 |
| Short Circuit Current (Isc/A) | 13.78 | 11.13 | 13.85 | 11.19 | 13.93 | 11.25 | 14.00 | 11.31 | 14.08 | 11.37 |
| Voltage at Maximum Power (Vmp/V) | 32.56 | 29.71 | 32.76 | 29.89 | 32.96 | 30.08 | 33.16 | 30.26 | 33.36 | 30.44 |
| Current at Maximum Power (Imp/A) | 12.75 | 10.44 | 12.83 | 10.50 | 12.90 | 10.56 | 12.97 | 10.62 | 13.05 | 10.68 |
| Module Efficiency(%) | 21.3 | | 21.5 | | 21.8 | | 22.0 | | 22.3 | |

Operating Parameters

| | |
|------------------------------------|-------------------------------|
| Operational Temperature | -40°C ~ +85°C |
| Power Output Tolerance | 0 ~ 3% |
| Voc and Isc Tolerance | ±3% |
| Maximum System Voltage | DC1500V (IEC/UL) |
| Maximum Series Fuse Rating | 25A |
| Nominal Operating Cell Temperature | 45±2°C |
| Protection Class | Class II |
| Fire Rating | UL type 1 or 2 IEC Class C |

Mechanical Loading

| | |
|-----------------------------------|--------------------------------------|
| Front Side Maximum Static Loading | 5400Pa |
| Rear Side Maximum Static Loading | 2400Pa |
| Hailstone Test | 25mm Hailstone at the speed of 23m/s |

Temperature Ratings (STC)

| | |
|---------------------------------|------------|
| Temperature Coefficient of Isc | +0.050%/°C |
| Temperature Coefficient of Voc | -0.230%/°C |
| Temperature Coefficient of Pmax | -0.290%/°C |